



Part of GE's Sensing & Inspection Technologies business

RHE 01/RHE 06

Rheonik Flow Transmitters

Reliable, economical and easy to use

RHE 01 Features

- For use in safe areas
- Pulse output (free scalable via rotary switches)
- Power consumption: < 15 W
- Temperature range: -40°C to 60°C (-40°F to 140°F)
- Enclosure rating: IP 54/Type 3S
- Available in all common supply voltages
- Fast response version (60 ms) for batching applications available
- Modular design allows easy and quick repair



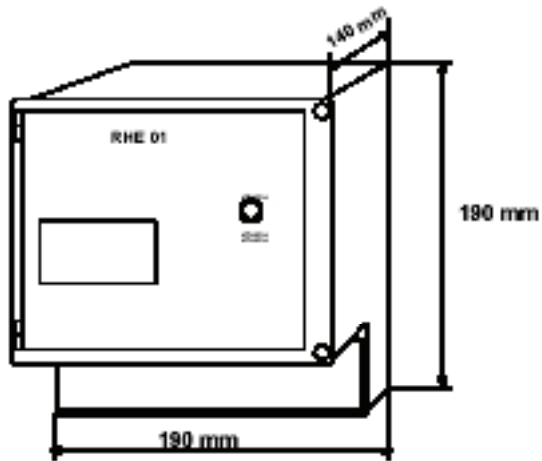
RHE 06 Features

- Can be used with meter installed in hazardous area
- ATEX Approval Ex II (1) G [Ex ia] IIC
Pulse output (free scalable via rotary switches)
- Power consumption: < 15 W
- Temperature range: -40°C to 60°C (-40°F to 140°F)
- Enclosure rating: IP 64/Type 4
- Fast response version (60 ms) for batching applications available
- PTB custody transfer approved version available (1.32-97027224) with double pulse output



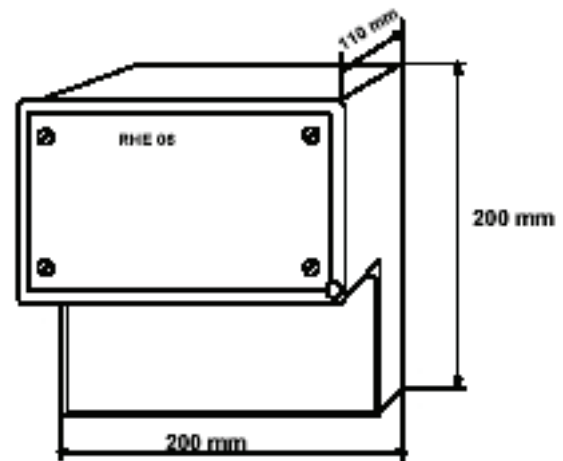
imagination at work

RHE 01 Specifications



Weight: approx. 2.0 kg/4.4 lb

RHE 06 Specifications



Weight: approx. 2.8 kg/6.2 lb

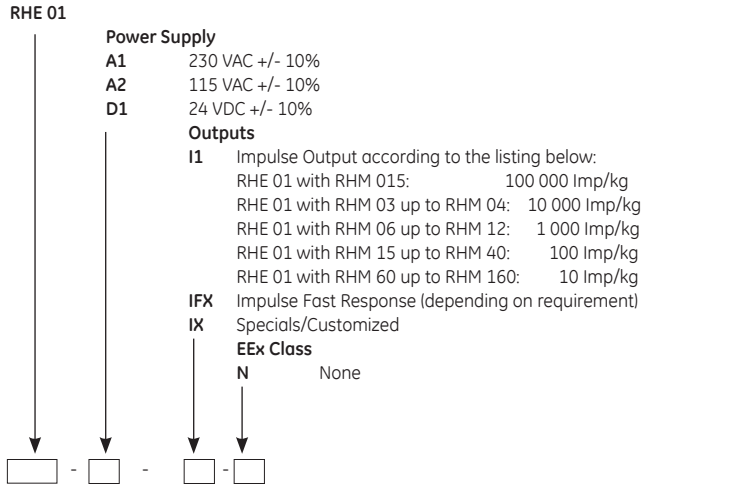
RHE 01 Specifications

Housing	ABS plastic
Protection class	IP 54
Dimensions	140 mm x 190 mm x 190 mm (5.51 in x 7.48 in x 7.48 in)
Op. temperature	-40°C to 60°C (-40°F to 140°F)
Outputs	flow pulses flow direction error
Inputs	zeroing
Power supply	230 VAC +/- 10% or 115 VAC +/- 10% or 24 VDC
Cable entries	3 x PG 9, 1 x PG 13.5

RHE 06 Specifications

Housing	Aluminium
Protection class	IP 64
Dimensions	200 mm x 200 mm x 110 mm (7.87 in x 7.87 in x 4.33 in)
Op. temperature	-40°C to 60°C (-40°F to 140°F)
Outputs	flow pulses flow direction error
Approval	ATEX Approval Ex II (1) G [EEx ia] IIC
Inputs	zeroing (intrinsically safe)
Power supply	230 VAC +/- 10% or 115 VAC +/- 10%
Cable entries	3 x PG 9, 1 x PG 13.5

RHE 01 Ordering Information

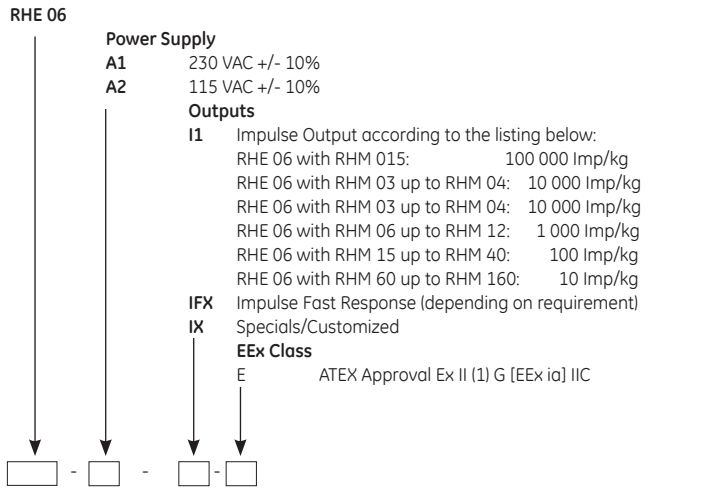


I.e.: RHE 01 A1 I1 N

(*) Standard configuration includes:

- Outputs (flow pulses, flow direction, error), input (zeroing) - (see wiring diagram for details).
- 3 x PG 9 + 1 x PG 13.5 as cable entries.

RHE 06 Ordering Information



I.e.: RHE 06 A1 I1 E

(*) Standard configuration includes:

- Outputs (flow pulses, flow direction, error), input (zeroing) - (see wiring diagram for details).
- 3 x PG 9 + 1 x PG 13.5 as cable entries.



www.gesensinginspection.com

920-000-02